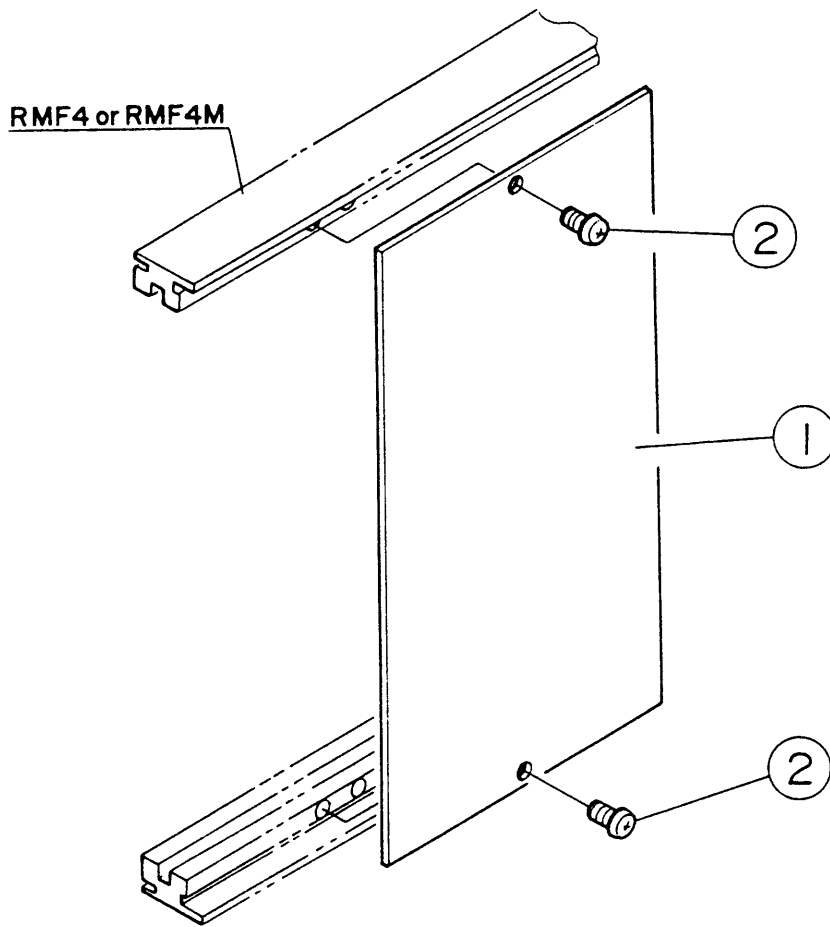


BP 5



NO.	DESCRIPTION	QTY	CODE NO.
1	BLANK PANEL BP5	1	A4-923-001
2	SCREW WITH PW(S) M4x0.7x8 B-NI	2	M3-000-111